

DRAWING NO. SE211937	7			6		5		4		3		2		1	
	CATALOG NUMBER	STRANDED COPPER CONDUCTOR ACCOMMODATED			BOLT SIZE	METRIC BOLT SIZE	DIMENSIONS								
CODE (AWG)		NAVY	METRIC SIZE (CLASS 2)	B			C	E	K DIA	L	N	O.D.	T REF.	Z MIN.	
YAZ28-2N	4/0 AWG	200	---	1/2	M12	1.62 [41]	1.02 [26]	1.75 [44]	.56 [14]	5.15 [131]	.62 [16]	.69 [18]	.14 [4]	.64 [16]	
YAZ29-2N	250 Kcmil	250	120mm ² STR [14.5]	1/2	M12	1.62 [41]	1.10 [28]	↑	↑	5.18 [132]	↑	.75 [19]	.16 [4]	↑	
YAZ30-2N	300 Kcmil	300	150mm ² STR [16.2]	1/2	M12	2.00 [51]	1.20 [30]	↓	↓	5.60 [142]	↓	.81 [21]	.16 [4]	↓	
YAZ31-2N	350 Kcmil	350	---	1/2	M12	2.00 [51]	1.29 [33]	1.75 [44]	.56 [14]	5.64 [143]	.62 [16]	.88 [22]	.18 [5]	.64 [16]	

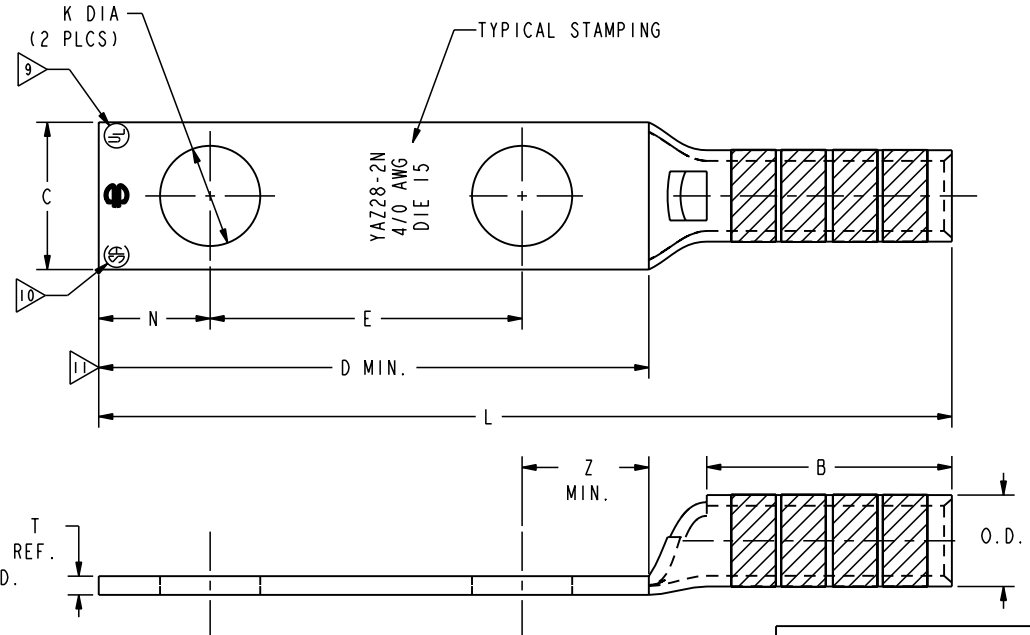
REV	DATE	DESCRIPTION	ECO	BY	C'H'K.
A	8/21/2008 12:00:00 AM	REDRAW IN PROE	16591	BT	BSK

CONNECTOR SIZE	TOLERANCES						
	B	C	E	K DIA.	L	N	O.D.
-6C THRU -25	±.06	+ .04 - .02	±.02	±.02	±.09	±.03	±.01
-26 THRU -34	±.08	+ .04 - .06	±.02	±.02	±.12	±.03	±.01
-35 AND UP	±.09	±.06	±.02	±.02	±.15	±.06	±.01

CATALOG NO.	COLOR CODE	DIE INFORMATION		MECHANICAL RACHET					HYDRAULIC					DIELESS (# CRIMPS)	WIRE STRIP LENGTH		
		DIE INDEX	TYPE	Y2MR	OUR840	MD6 MD7	MD6--R2 BAT500	MD7-34R	Y34A Y34B Y34BH	Y35, Y39 Y750, BAT35 BAT750	Y46	Y45	Y48B			Y60BHU	
YAZ28-2N	PURPLE	15	PURPLE DIE SET NEST INDENTOR	---	X28RT(6)	W28RT(4) W28VT(4)	W28RT(4) W28VT(4)	W28RT(4) W28VT(4)	---	Y34A(1) A28D(1)	Y35(2) U28D-1(1)	Y46(2) U28D-1(1)	Y45(2) U28D-1(1)	C28R(2) C28D(1)	L28RT(1)	MECHANICAL: MY29-3(2) MY29-11(2)	1-11/16"
YAZ29-2N	YELLOW	16	YELLOW DIE SET NEST INDENTOR	---	X29RT(8)	W29VT(4)	W29RT(4) W29VT(4)	W29VT(4)	---	Y34A(2) A29D(2)	Y35(2) U29D-1(2)	Y46(2) U29D-1(2)	Y45(2) U29D-1(2)	C29R(2) C29D(1)	L29RT(1)	HYDRULIC: Y644M(1) BAT644M(1)	1-11/16"
YAZ30-2N	WHITE	17 298	WHITE DIE SET NEST INDENTOR	---	---	---	W30RT(4)	W30VT(4)	---	Y34A(2) A30D(2)	Y35(4) U30RT(4) U28ART(4)	Y46(4) U30D-1(2) U30D-1(2)	Y45(4) U30RT(4) U28ART(4)	C30R(1) C28AR(1) C30D(1)	L30RT(1)	HYDRAULIC: Y644M(1) BAT644M(1)	2-1/16"
YAZ31-2N	RED	18 324	RED DIE SET NEST INDENTOR	---	---	---	W31RT(4) W31VT(4)	W31VT(4)	---	Y34A(2) A31D(2)	Y35(4) U31RT(4) U29ART(4)	Y46(4) U31D-1(2) U31D-1(2)	Y45(4) U31RT(4) U29ART(4)	C31R(1) C29AR(1) C31D(1)	L31RT(1) L29ART(1)	HYDRAULIC: Y644M(1) BAT644M(1)	2-1/16"

TOLERANCE BLOCK

- NOTES:
- MATERIAL: COPPER TUBING.
 - FINISH: TIN PLATED.
 - CATALOG # PT6515 ADAPTOR IS REQUIRED TO USE "U" DIES IN Y45 SERIES TOOLS.
 - CATALOG # PUADP-1 ADAPTOR IS REQUIRED TO USE "U" DIES IN Y46 SERIES TOOLS.
 - Y35P3 INDENTOR ADAPTOR REQUIRED FOR Y34PR INDENTOR.
 - PERMANENT DIE IN TOOLING.
 - DIMENSIONS IN BRACKETS [] ARE IN MILLIMETERS ROUNDED OFF TO THE NEAREST MILLIMETER, UNLESS OTHERWISE NOTED, AND ARE FOR REFERENCE ONLY.
 - FOR USE BY CUSTOMERS THAT HAVE THIS HYPRESS™. NO NEW Y34A HYPRESS™ TOOLS ARE BEING PROCESSED. Y34A USES A--D TYPE NEST DIES.
 - CONNECTORS ARE UL LISTED; UNDRILLED VERSIONS ARE NOT UL LISTED.
 - CONNECTORS ARE CSA CERTIFIED; UNDRILLED VERSIONS ARE NOT CSA CERTIFIED.
 - FOR UNDRILLED VERSIONS ADD SUFFIX "-U" TO END OF CATALOG NUMBER. FOR UNDRILLED VERSIONS, USE D MIN. = N MAX. + E MAX. + Z MIN.
 - "X", "W-RT", "W-VT", "U", & "L" DIE SETS ARE COLOR CODED. "A", "B", AND "C" DIES ARE NOT COLOR CODED. NESTS AND INDENTOR TYPE ARE NOT COLOR CODED.



REFERENCE: SE211938

TO ORDER BURNDY® PRL		HYLUG™	
ITEM NO:	N/A	DRAWING NO	
CAT. NO:	YAZ--2N(SEE TABLE)	SIZE	SE211937
DRAWN BY:	D BOISVERT 01/19/99	REV	A
CHECKER:	J MICHAUD 2/08/99	SHEET 3 OF 8	
DSN APPVL:	B MACDONALD 2/08/99	SCALE: 1:1	
MFG APPVL:	N/A	MKT APPVL: K.WOO 2/08/99	
QA APPVL:	S GRAY 2/09/99	PROJ FAMIL: --	
MKT APPVL:	K.WOO 2/08/99	PROJECT #: --	
PROJ FAMIL:	--	DOCUMENT TYPE: Sales	
REL LEVEL:	Released	REL LEVEL: Released	

REV: PE0200